

PV Systems - Components and Concepts

Batteries III - Charge Controllers

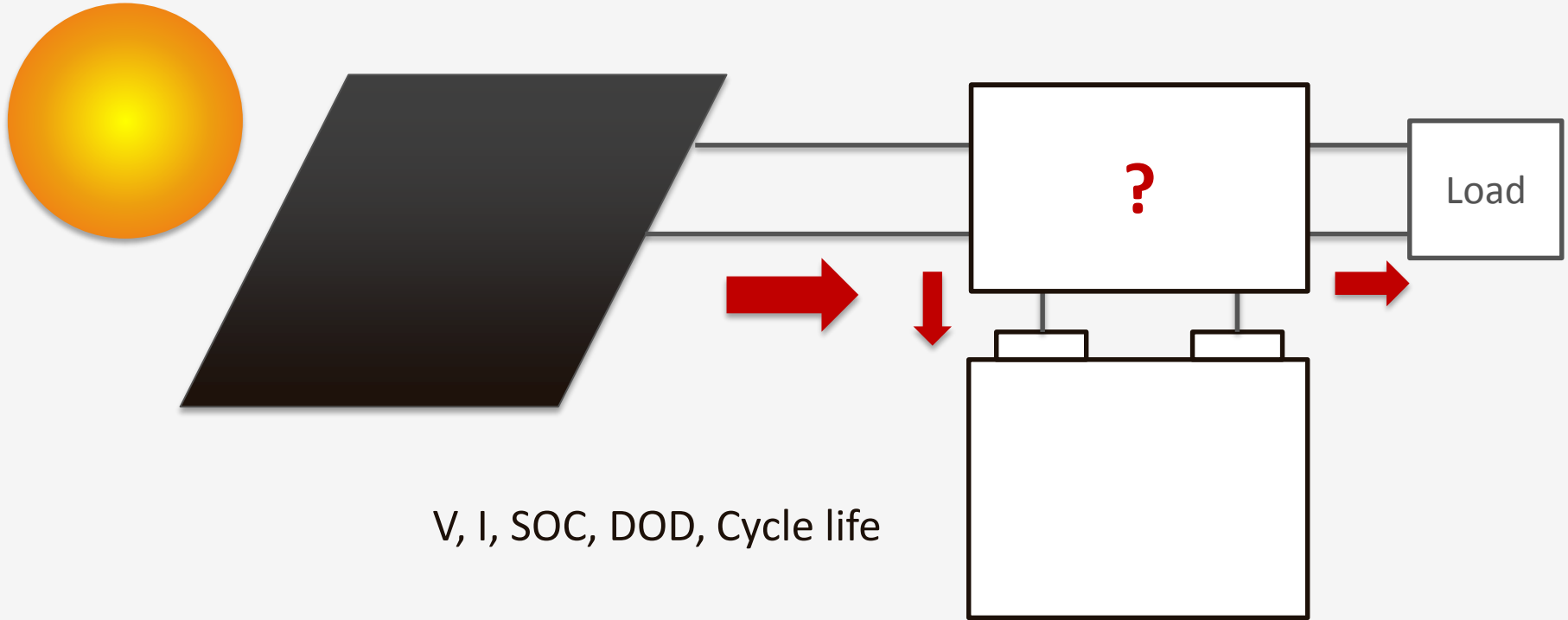
Week 7.5.3

Arno Smets, Nishant Narayan



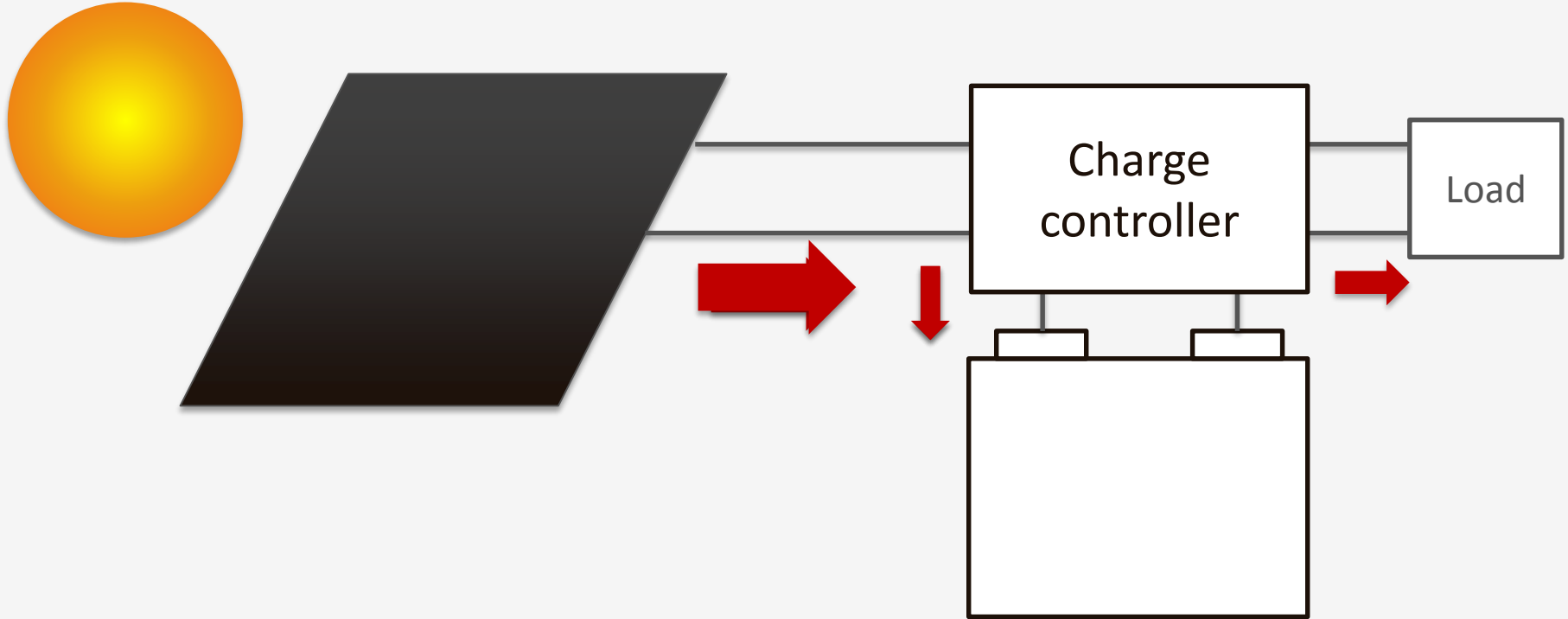
Steca Solarix MPPT Charge Controller

Battery operational requirements

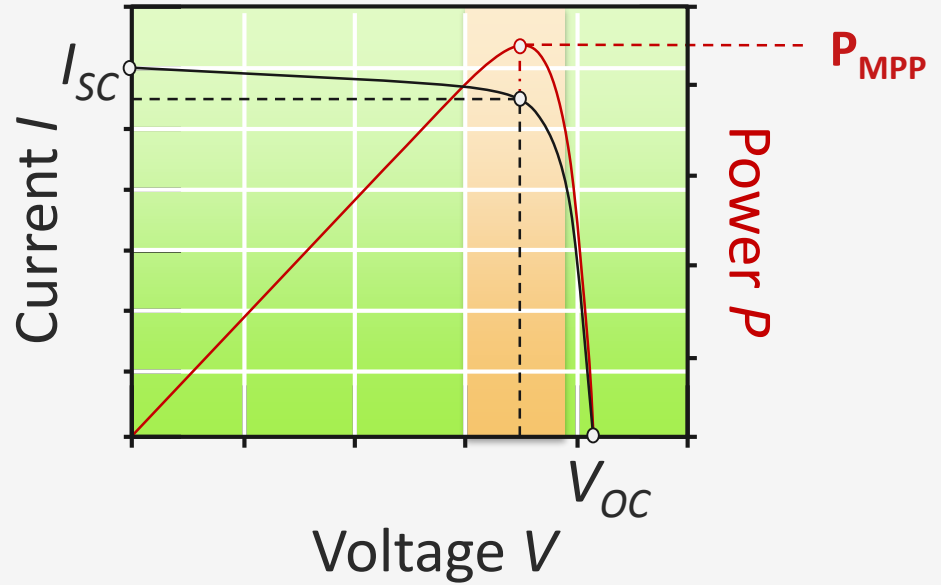
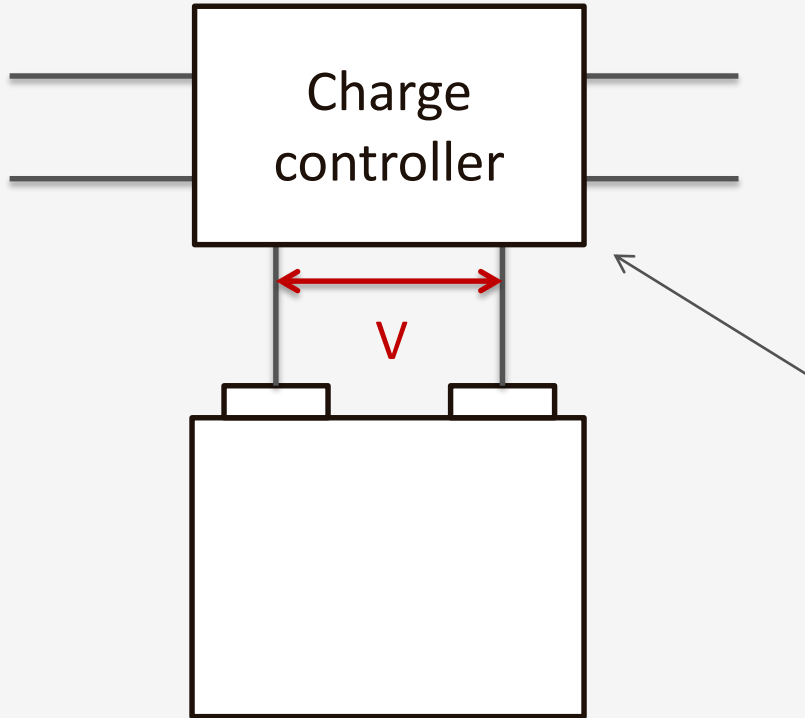


V, I, SOC, DOD, Cycle life

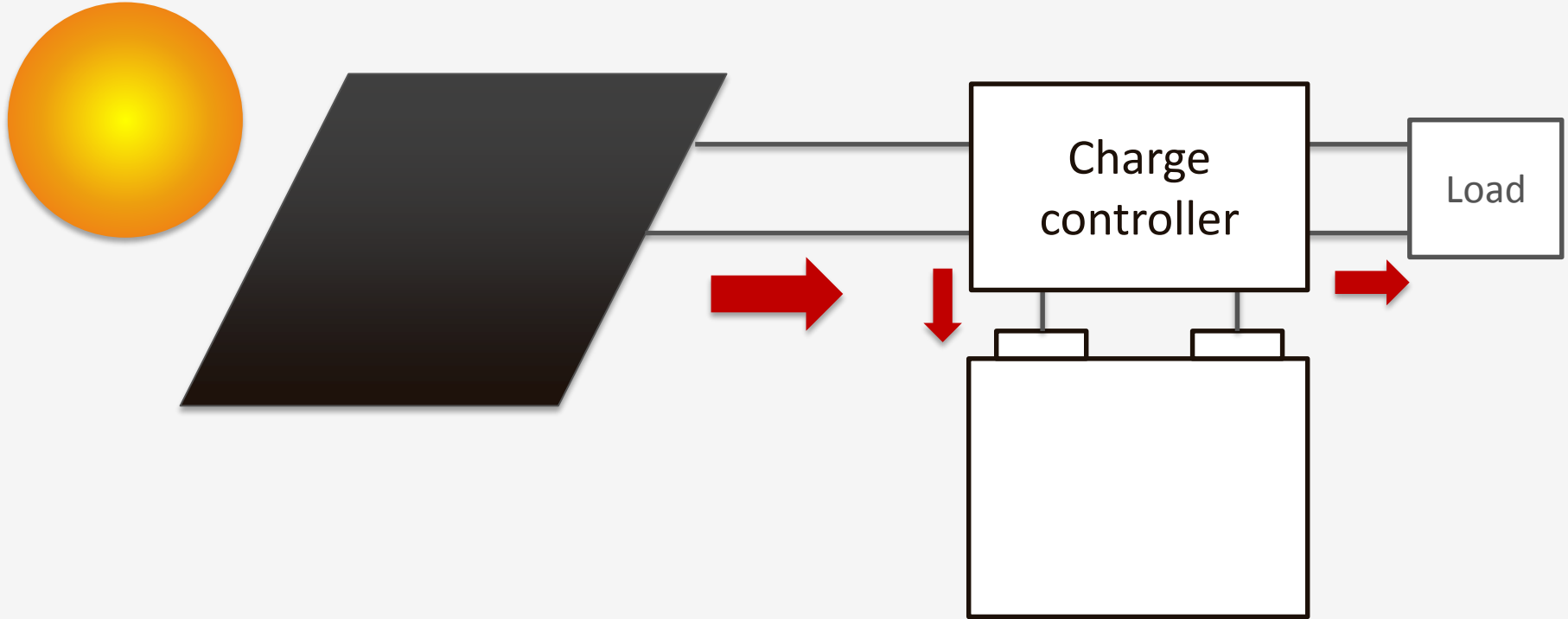
Over(dis)charging prevention



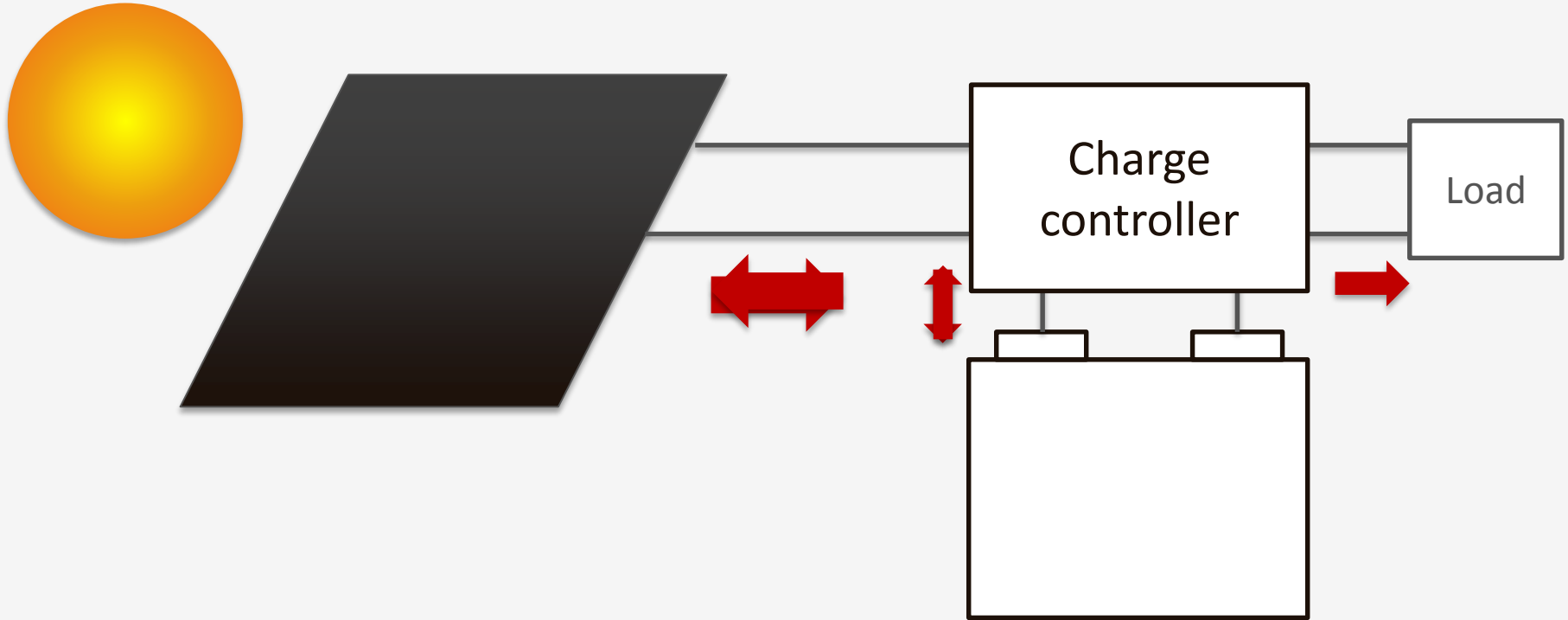
Voltage regulation



Current regulation

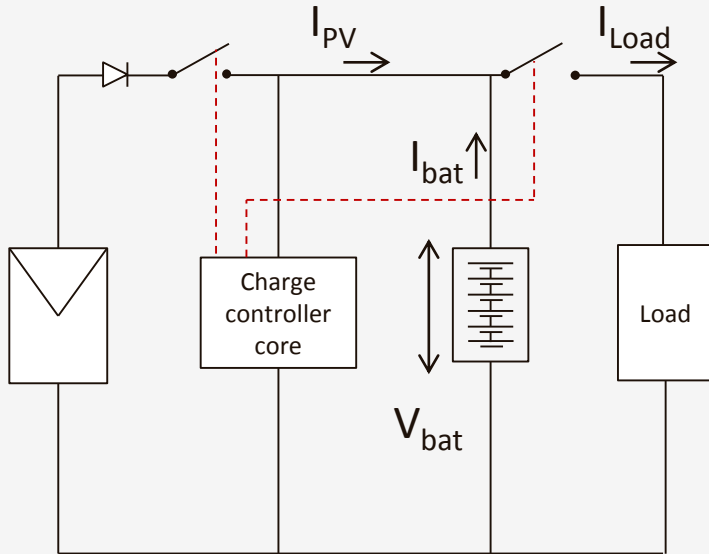


Back charge protection

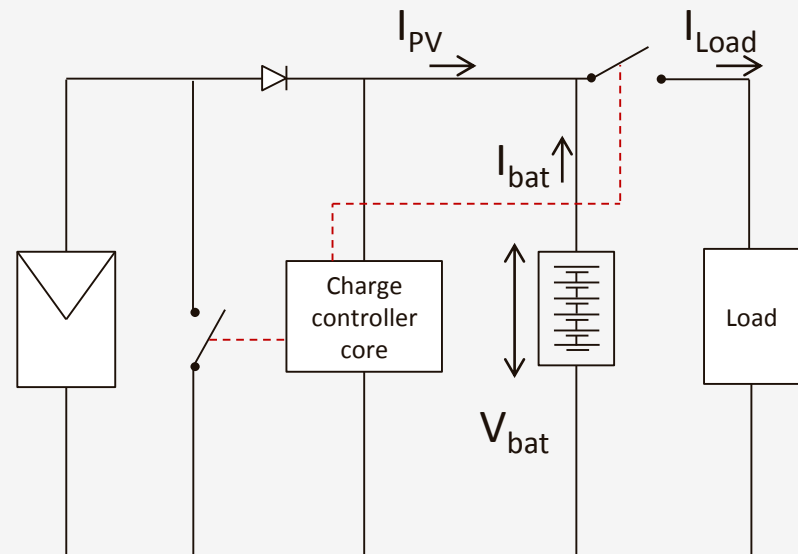


Mechanisms to prevent overcharging

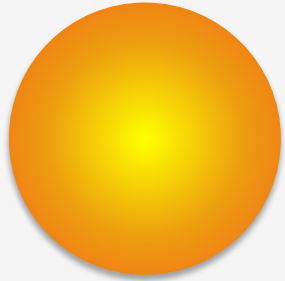
Series CC



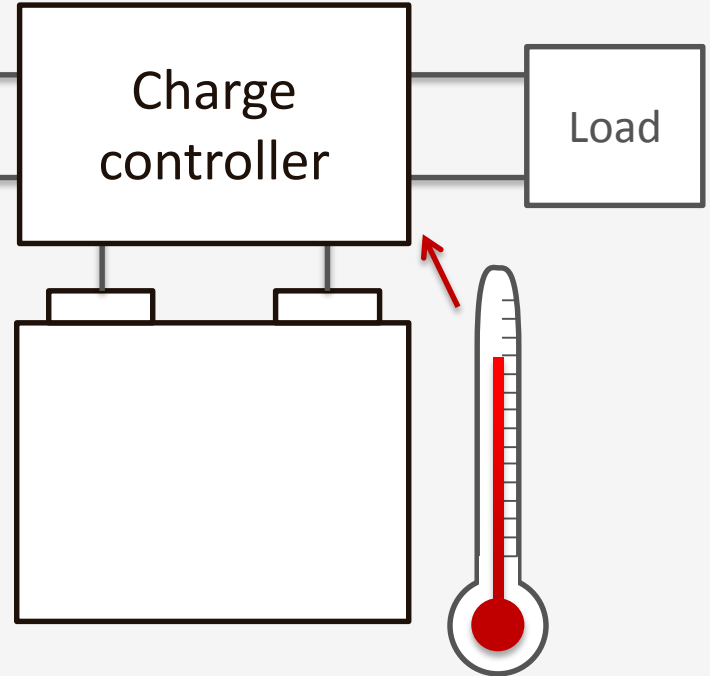
Shunt CC



Temperature effects



$V(T), I(T)$





Victron Blue Solar MPPT Charge Controller



Steca Solarix MPPT Charge Controller

Thank you for your attention!